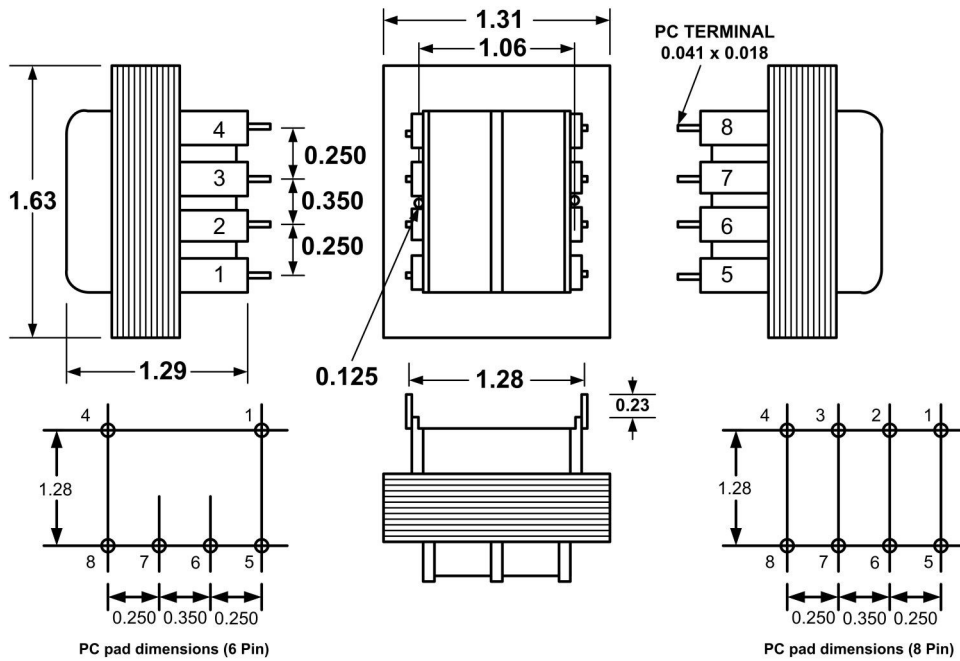


# P24H - PRINTED CIRCUIT MOUNT, HORIZONTAL, ISOLATION TRANSFORMER

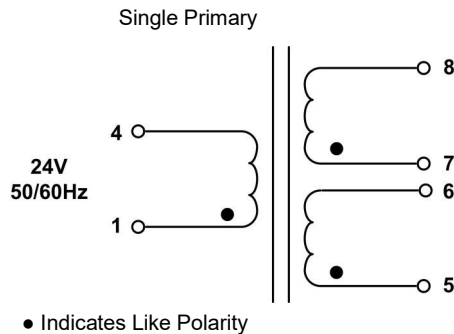


## 1. Electrical Specifications

- A. Maximum Power: 6VA
  - B. Input Voltage and Frequency: 24V @ 50/60Hz
  - C. Voltage Regulation: 18% TYP @ Full Load to No Load
  - D. Temperature Rise: 25°C TYP
  - E. Insulation Resistance: > 1 MEG ohm
  - F. Hi-Pot: 2500 Vrms 1 minute
2. Marking: Wabash Transformer, part number (see table), date code, terminal numbers
3. Agency Approval:  
 UL/cUL 5085-2 Recognized (File E47299)  
 UL 1446 Recognized Insulation System (File E95662)



Part No.	Secondary 24V	
	Series Amp	Parallel Amp
P24H-06-24	250mA	500mA



	ISOLATION TRANSFORMER		P24H-06-24	
	CONTENTS OF THIS DRAWING ARE SUBJECT TO CHANGE WITHOUT PRIOR NOTICE		Wabash Transformer 101 Industrial Park Drive, Clarence, IA 52216	Dim: Inches
PROPRIETARY NOTICE: THIS DRAWING PRINT OR DOCUMENT AND SUBJECT MATTER DISCLOSED HEREIN ARE PROPRIETARY ITEMS TO WHICH WABASH TRANSFORMER RETAINS THE EXCLUSIVE RIGHT OF DISSEMINATION, MANUFACTURE AND SALE. THIS DRAWING, PRINT OR DOCUMENT IS SUBMITTED IN CONFIDENCE FOR CONSIDERATION BY THE RECIPIENT ALONE UNLESS PERMISSION FOR FURTHER DISCLOSURE IS EXPRESSLY GRANTED IN WRITING				